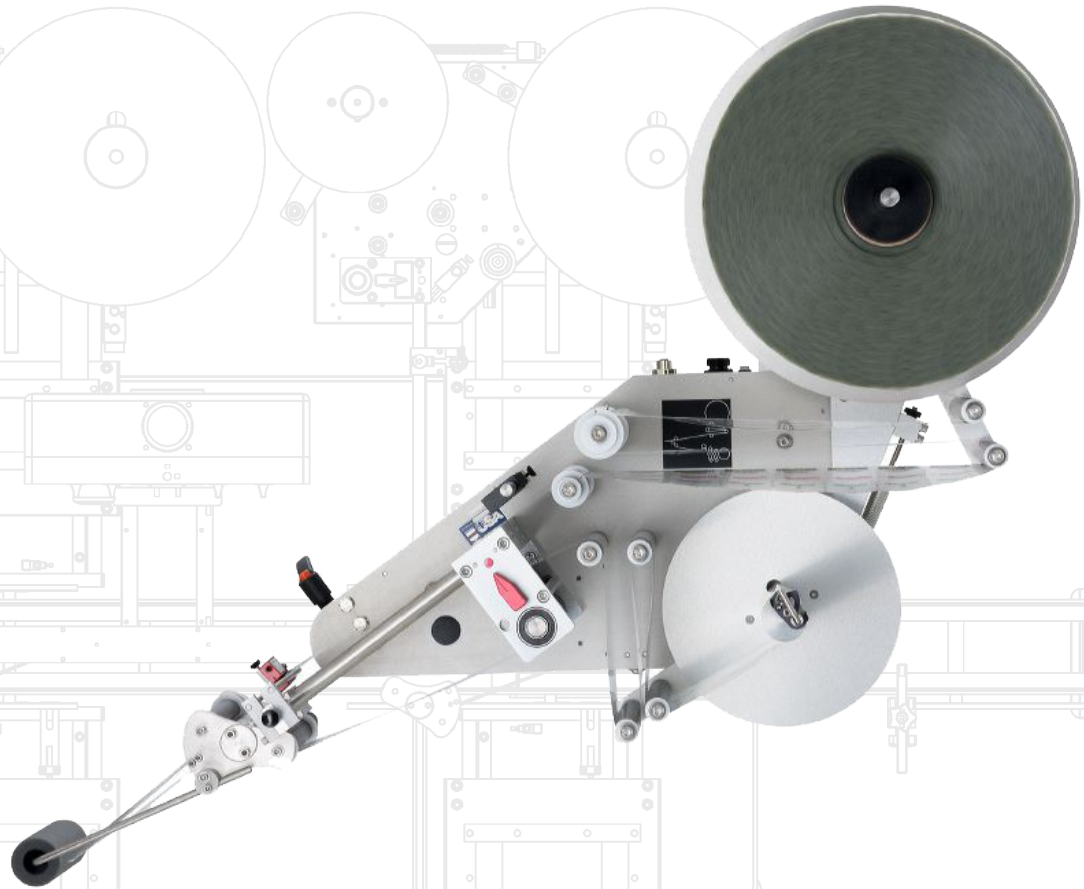


Q120 Label Applicator

The Q120 label applicator is designed to provide years of reliable, 24/7 operation in harsh environments with minimal maintenance. It is ideal for stand alone applications on existing packaging lines, as well as the labeler of choice for a Quadrel high speed open frame system.

Design features such as Touch Screen controls, 16" label unwind, and upgraded high-torque stepping motor label drive allow for production rates up to 350 parts per minute with +/-1/32" applied accuracy.



- Robust stainless steel and anodized aluminum construction
- Touchscreen controls with password protected menus
- 50 programmable product presets
- Integrated label impresser
- Outboard supported label drive with sealed roller bearings
- Quick disconnect electronics with integrated optical sensors

www.quadrel.com
440.602.4700

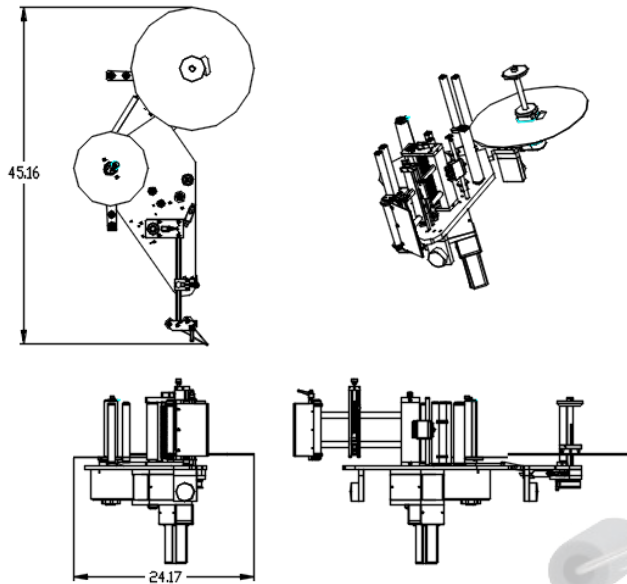
QUALITY/ FLEXIBILITY

The Q120 label applicator is our popular Systems labeling head with PLC Controls. This labeling head provides proven 24/7 reliability in a modular package. In addition, the Q120 labeler offers the flexibility to use one of the most popular labeling heads in the industry for a wide variety of applications.

Ideally suited for open frame system integrations and a wide variety of OEM applications, the Q120 labeling head is the label applicator of choice for continuous operation in demanding environments with minimal maintenance.

ADVANCED CONTROLS

The high-speed PLC directs and monitors all functions of the labeling head, including speed compensation, fault detection, and full status monitoring. With memory for 50 product presets, the software easily accommodates a wide variety of options with instant recall of product profiles.



STANDARD FEATURES

- Allen Bradley brand PLC
- Intelligent stepper label drive (Optional Servo Drive)
- Encoder-based speed compensation (with optional encoder)
- Rugged stainless steel & aluminum construction
- Precision sealed bearings
- Outboard supported drive yoke for long-term reliability and consistent web tracking
- Dependable performance in harsh environments
- 16" (406mm) label unwind for less frequent roll changes
- Optical label detection sensor
- Adjustable Hydraulic waste rewind clutch
- Integrated fan-cooled electronics

OPTIONS

- Left or Right hand versions
- T or H-Base stand with casters and leveling pads
- Low label detection
- End of web detection
- Broken web detection
- Thermal transfer, laser, or hot stamp imprinter
- Clear label detection
- Servo Label Drive motor
- Pivoting Peel Plate
- Consult factory for others

SPECIFICATIONS

Size: 24"(610mm) width x 47"(1194mm) length
Approximate Net Shipping Weight: 80 lbs.(36kg)
Actual Labeling Rate: Dependent upon label length and product size (Up to 350 products per minute)
Dispensing Accuracy: Up to +/-1/32" (1mm)
Dispensing Speed: Variable, up to 2200" per minute
Label Drive: Stepping motor standard. Servo optional
Design Features: Outboard supported label drive, stainless steel/aluminum construction, precision sealed bearing, pivoting peel plate
Label Dimensions:
Maximum width = 6 7/8"(174mm), 9 7/8" (254mm) optional
Maximum length = required length
Minimum width 1/2" (13mm)
Minimum length = 1/2" (13mm)
Roll Capacity: 16" (406mm) O.D. on 3" (76mm) or 6" (153mm) I.D. core (Must specify at time of order)
Web Width: 7" (177mm), 10"(254mm) optional
Label Format: Die cut, waste removed (Minimum 1/8" [3mm] between labels)
Label Sensing: Photoelectric
Utilities: 110vac or 220vac, 50/60Hz, 10/5 amps (Must specify at time of order)

QUADREL
LABELING SYSTEMS