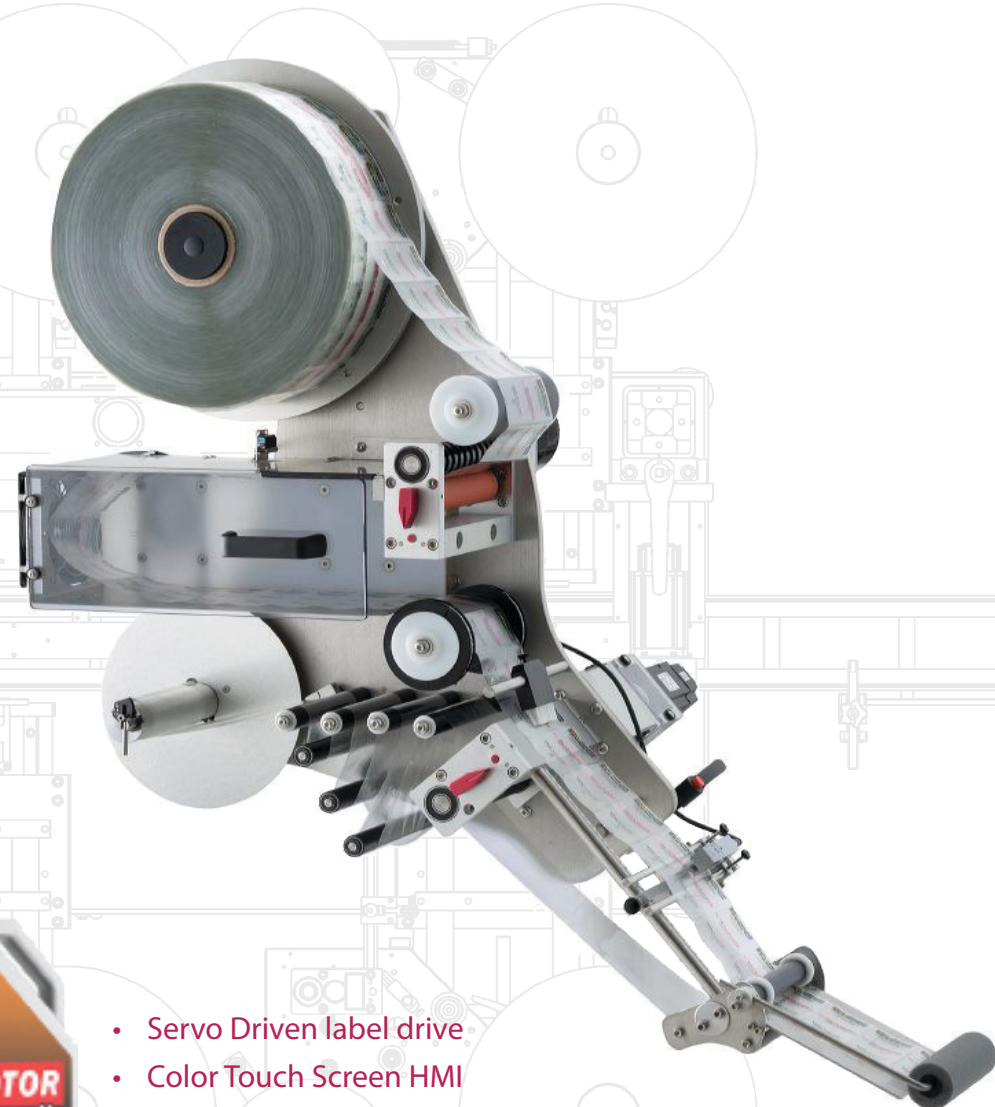


Q160 Label Applicator

The Q160 servo driven applicator is the ultimate high speed heavy duty 24/7 labeling solution offered by Quadrel. The primary design features of the Q160 is the cam operated powered rewind and "air box" powered unwind. These innovations, along with the intelligent servo label drive, deliver extremely high speeds and unparalleled accuracy up to 600 products per minute in some applications.

The Q160 comes standard with Allen Bradley PLC controls with a Panel View color Touch Screen. The "air-box" powered unwind was designed specifically for Pharmaceutical applications requiring variable information printing and inspection at high speeds.



- Servo Driven label drive
- Color Touch Screen HMI
- Allen Bradley PLC Control
- Clear polycarbonate covers on all drive components.
- Quick disconnects on all sensors

www.quadrel.com
440.602.4700

Capabilities

QUALITY/ FLEXIBILITY

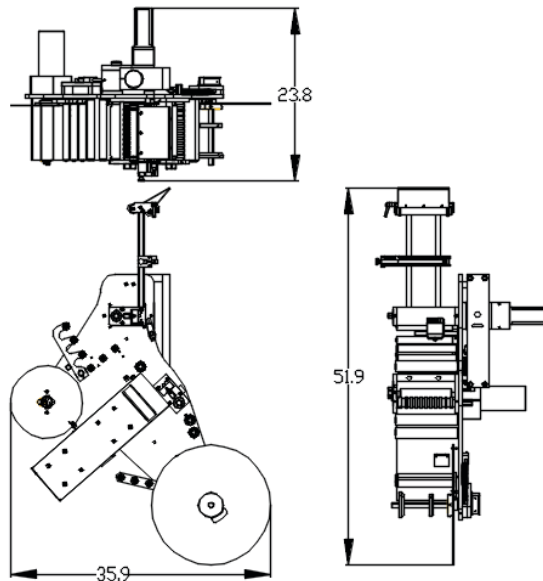
The Q160 servo driven applicator is the ultimate high speed, heavy duty 24/7 labeling solution offered by Quadrel.

Features include intelligent servo controlled label drive, Panel View color touch screen HMI and Allen Bradley PLC Control

Ideally suited for integrations and a wide variety of OEM applications, the Q160 is the label applicator of choice for continuous operation in demanding environments with minimal maintenance.

ADVANCED CONTROLS

The high-speed PLC directs and monitors all functions of the labeling head, including speed compensation, fault detection, and full status monitoring. With memory for 50 product presets, the software easily accommodates a wide variety of options with instant recall of product profiles.



STANDARD FEATURES

- Servo driven label drive
- Encoder-based speed compensation
- Rugged stainless steel & aluminum construction
- Precision sealed bearings
- Outboard supported drive yoke for long-term reliability and consistent web tracking
- 16" (407mm) label unwind for less frequent roll changes
- Optical label detection sensor
- Power Rewind
- Fatal fault relay interface

OPTIONS

- Powered label Unwind
- Left or Right hand versions
- Low label detection
- End of web detection
- Broken web detection
- Thermal transfer, laser, or hot stamp imprinter
- Vision Camera Inspection mount
- Clear label detection
- Powered Waste rewind assembly
- 20" label unwind capacity

SPECIFICATIONS

Size: 32.68 width X 52" length

Dispensing Speed: up to 4000" per minute

Label Drive: Servo

Design Features: Outboard supported label drive, stainless steel/aluminum construction, precision sealed bearing, pivoting peel plate

Label Dimensions:

Maximum width = 6 7/8" (174mm), 9 7/8" (254mm) optional

Maximum length = required length

Minimum width 1/2" (13mm)

Minimum length = 1/2" (13mm)

Roll Capacity: 16" (407mm) O.D. on 3" (76mm) or 6" (153mm) I.D. core (Must specify at time of order)

Web Width: 7" (177mm), 10" (254mm) optional

Label Format: Die cut, waste removed (Minimum 1/8" [3mm] between labels)

Label Sensing: Photoelectric

Utilities: 220vac, 50/60Hz, 15 amps

QUADREL
LABELING SYSTEMS